



United Stone

Cabinetry™



Price & Spec Book



Cabinetry



We are manufactory

We are local paint shop

We are importer



We are wholesaler



We are local warehouse



We are pick up on the same day



We are local customized





Cabinetry



Address & Phone Number:

14 Bryant CT (A & B) Sterling VA 20166
T (703) 467-0434
(703) 467-0435
F (703) 467-0436

Email Us:

Unitedstones.va@gmail.com



Hours of Operations:

Office & Showroom: Monday ~ Friday: 9:00am – 6:00pm
Saturday: 10:00am – 5:00pm
Sunday: Closed

Common Carriers/Ground Shipments: 10am - 5pm
Pick-up Orders: 10:00am – 11:50am / 1:00pm – 5:30pm



Cabinetry



Cabinets play a heart role in the flow of your kitchen design. Offering seamless balance of endurance, quality, elegance and poise.

Cabinet Features

- Solid Wood Cabinets
- Soft Closing Doors
- Soft Closing Drawers
- Full Extension Dovetail Drawers
- Matching Finished Interior & Sides
- 3/4" Plywood Shelves
- 1/2" Plywood Sides
- Carb2 Compliant



CABINET CARE

- Avoid placing small kitchen appliances where heat is directed onto cabinet surfaces.
- Wipe up spills, splatters, and water spots as they occur immediately, keeping the cabinets dry.
- Avoid using a dish cloth or sponge. It could contain remnants of grease or detergents.
- Do not use products with bleach, ammonia, or abrasive additives like petroleum solvents.
- Clean as needed with a soft, lint-free cloth. Use a mild detergent or soap with warm water.
- Do not allow oven cleaners to come into contact with wood surfaces.
- Avoid draping damp cloths or dish towels over cabinet doors excessive moisture can cause permanent damage.



TERMS & CONDITIONS

Payments:

Payments to Vita Cabinetry can be done by Cash, Check, Credit Card or ACH. Full payment is due before Pickup or Delivery; if payment is made by Check or ACH, funds must be verified before pickup.

UnitedStone Cabinetry requires resale certificates for all dealers in every state.

Returned Checks and Payments:

If your payments are returned because of insufficient funds, or some other issues with your account, you will be charged \$35 returned check fee.

Late Pickup Fee:

Orders that have not been accepted after 3 weeks of purchase, will be stored at clients expense. Storage fees will accrue on a monthly basis at the rate of \$50 per pallet.

Return Policy:

Returns are accepted for Credit only: Assembled, modified or special order cabinets can not be returned, all other returns and cancellations are subject to inspection and a 25% restocking fee

UnitedStone Cabinetry FIVE YEAR LIMITED WARRANTY

USC Cabinetry warrants the following cabinets will be free of manufacturer defects for 5 Years from the moment of purchase for stained cabinets, and 2 years for painted cabinets in regular residential use. This Limited Warranty is only applicable to products sold to the first Residential Purchaser and used in the applications described below within the United States.

Residential Purchaser is a person with proof of direct purchase of cabinets from UnitedStone Cabinetry LLC and this warranty is non-transferable. For all other customers warranty claims can not be made directly to UnitedStone Cabinetry LLC by the customer. Claims must be submitted to authorized builder, dealer or distributor where they purchased from.

Warranty does not cover defects caused by mishandling, abuse, dirt, chemicals abrasive products, installation, transit, product modification exposure to extreme temperature, moisture, humidity and other negligent damage. The product must be used exclusively for its intended purpose in order to be covered by its limited warranty.

Warranty does not cover the cost of installation, removal or transportation of product. If product is discontinued USC Cabinetry will try to replace the parts under warranty with a new part similar to style currently offered and will not be held responsible for replacement product that may not exactly match previously installed product.

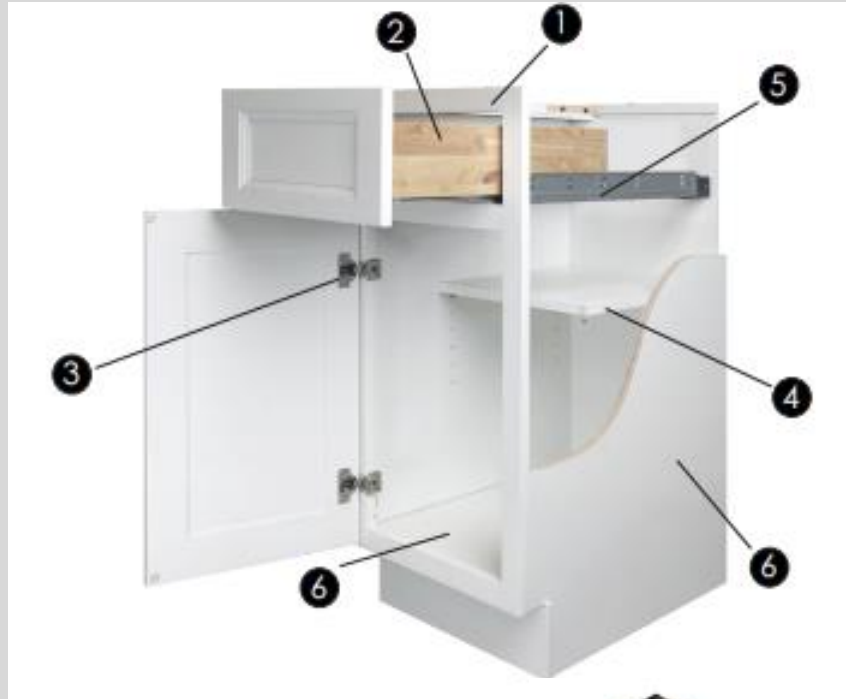
Natural woods may vary in color, grain pattern and characteristics or exhibit changes as they age and are not considered defects. UnitedStone Cabinetry will not be held responsible for these variations in your cabinetry. Gaps that may developed in door joints due to conditions of their environment such as hairline cracks are not included or covered in this limited warranty.

All door warpage greater than 1/2" will be warrantied, please place item and check on flat surface before requesting replacement.

To file a claim please contact your authorized builder, dealer or distributor where the items were purchased from. They will obtain information necessary to made a claim decision and forward such information in writing to UnitedStone Cabinetry. A dated proof of sales is required to obtain benefits of warranty.



Cabinet Construction

USC Cabinetry is manufactured with Plywood & Solid Wood Construction, creating long lasting results. All hinges and drawer glides are fully adjustable and utilize soft close technology for a luxury look and feel.



FEATURES

- Cabinet Drawer Face and Doors: Made from solid birch wood for stained finishes and HDF premium for painted finishes.
- 1/2 Grade A Plywood Construction.
- 16" depth shelf, adjustable.
- Carb2 compliant.
- I-Beam support, for stability.

-  Frame: Solid wood, Mortise and Tenon Joint.
-  Drawer: Rubber Wood Finger Jointed, Dovetail Construction.
-  Hinge: DTC 6-way adjustable soft closing metal, hidden Euro-style.
-  Shelf support: Metal materials, movable.
-  Glide: DTC full extension pull-out, soft-closing metal; concealed under-mount.
-  Matching Finished Interior and Pre Finished Sides.



**USC-White Shaker
Contemporary Shaker Series**



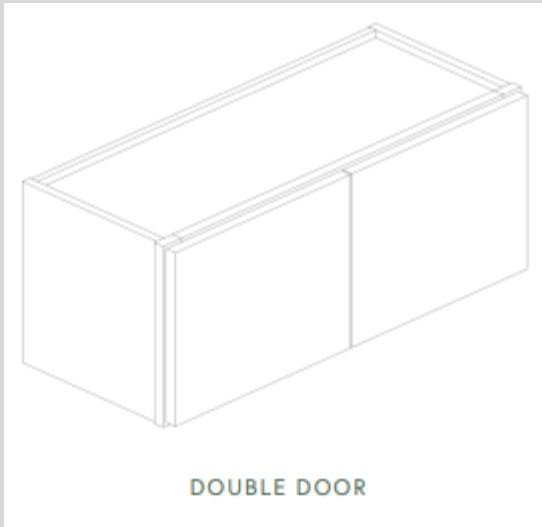




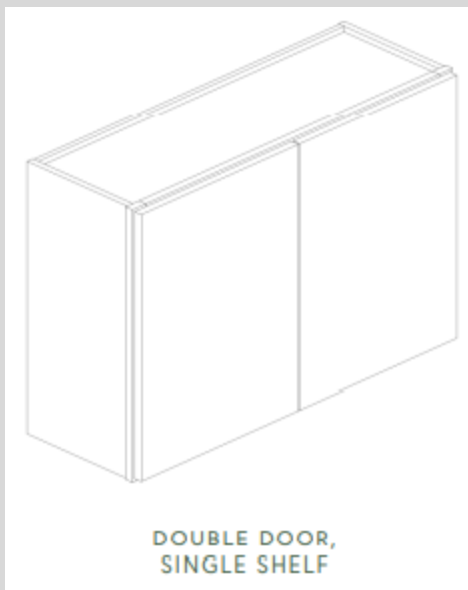
Custom Prep For Glass --- Cut the Center Panel of Door For Glass Insert (Per Door)	
Custom Cut-Wall cabinets --- Reduce Depth of Wall Cabinet (No. Min.)	
Custom Cut-Sink Base --- Reduce Depth of Sink Base Cabinet (No. Min.)	
Custom Cut-Base Single Drawer --- Reduce Depth of Base Cabinet with Single Drawer	
Custom Cut-Base Double Drawer --- Reduce Depth of Base Cabinet With Double Drawers	
Custom Cut-Drawer Base --- Reduce Depth of Base Cabinet With 3 Drawers	
Custom Cut-Pantry --- Reduce Depth of Tall Cabinet (No. Min.)	
Custom Full-Doors --- Create Full Height Door Base Cabinet From 2 Cabinets (Cabinet Not Incl.)	
Custom Peninsula Cabinet --- Create a Peninsula Cabinet from 2 Cabinets (Cabinet Not Incl.)	
Custom BMC24 --- Create Base Microwave Cabinet From a DB24 Cabinet (Cabinet Not Incl.)	
Custom Cut-Base Height --- Reduce Height of Base Cabinet by Cutting off Top Drawer	
Custom Cut-Roll Out Tray --- Reduce Depth of Rollout Drawer (Specify Depth)	
Oven Cabinet Cut Out Modification (1 cutout)	
Oven Cabinet Cut Out Modification (2 cutout)	
12" Wall cabinet Depth to 15" / 18" / 24" Depth	
Roll Out Trays Installation	
Trach Can Installation	

Wall Cabinets

12" / 15" / 18" / 21" / 24" HIGH DOUBLE DOOR



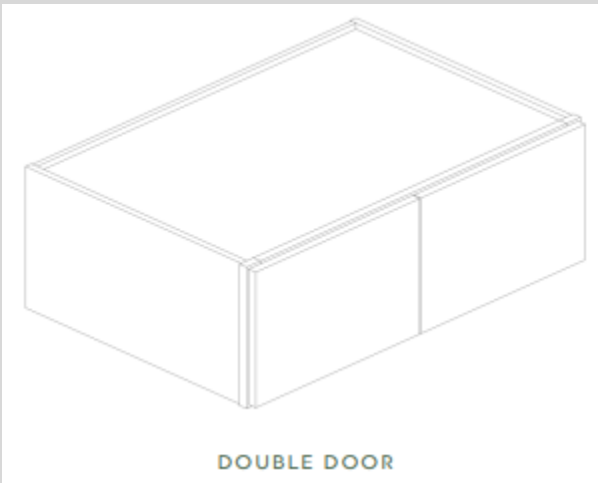
W x H x D	SKU	RET	WHO
24"x12"x12"	W2412		
27"x12"x12"	W2712		
30"x12"x12"	W3012		
33"x12"x12"	W3312		
36"x12"x12"	W3612		
24"x15"x12"	W2415		
27"x15"x12"	W2715		
30"x15"x12"	W3015		
33"x15"x12"	W3315		
36"x15"x12"	W3615		
24"x18"x12"	W2418		
27"x18"x12"	W2718		
30"x18"x12"	W3018		
33"x18"x12"	W3318		
36"x18"x12"	W3618		



W x H x D	SKU	RET	WHO
30"x21"x12"	W3021		
33"x21"x12"	W3321		
36"x21"x12"	W3621		
24"x24"x12"	W2424		
27"x24"x12"	W2724		
30"x24"x12"	W3024		
33"x24"x12"	W3324		
36"x24"x12"	W3624		

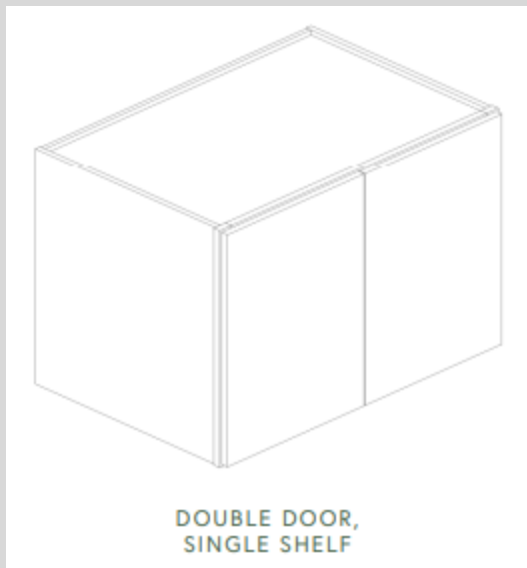
Wall Cabinets

24" DEEP



W x H x D	SKU	RET	WHO
30"x12"x24"	W301224		
33"x12"x24"	W331224		
36"x12"x24"	W361224		
30"x15"x24"	W301524		
33"x15"x24"	W331524		
36"x15"x24"	W361524		
30"x18"x24"	W301824		
33"x18"x24"	W331824		
36"x18"x24"	W361824		

* Modifications available.

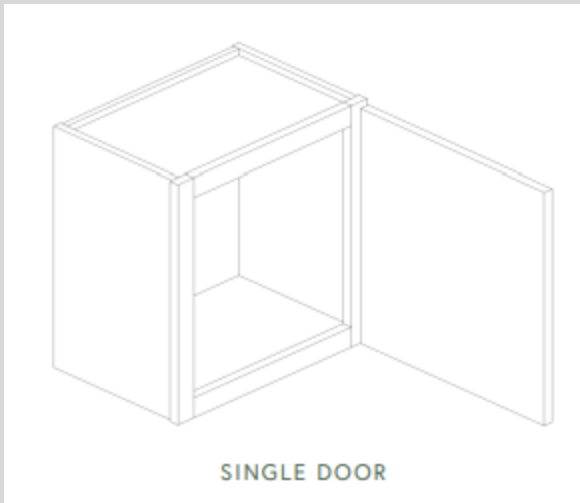


W x H x D	SKU	RET	WHO
30"x21"x24"	W302124		
33"x21"x24"	W332124		
36"x21"x24"	W362124		
30"x24"x24"	W302424		
33"x24"x24"	W332424		
36"x24"x24"	W362424		

* Modifications available.

Wall Cabinets

12" / 15" / 18" / 21" / 24" HIGH SINGLE DOOR

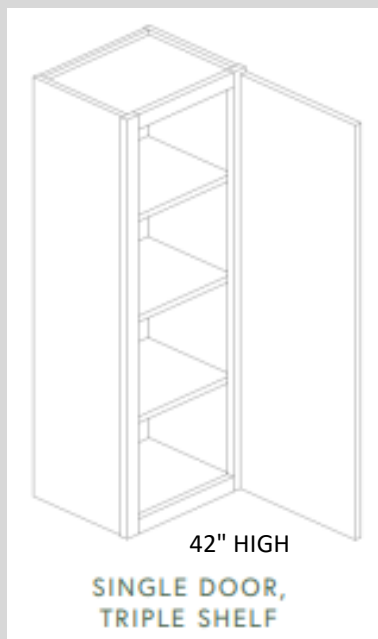
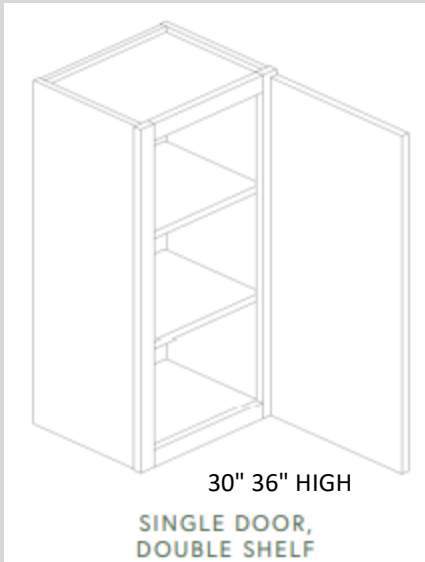


W x H x D	SKU	RET	WHO
12"x12"x12"	* W1212		
15"x12"x12"	* W1512		
18"x12"x12"	* W1812		
21"x12"x12"	* W2112		
12"x15"x12"	* W1215		
15"x15"x12"	* W1515		
18"x15"x12"	* W1815		
21"x15"x12"	* W2115		
12"x18"x12"	* W1218		
15"x18"x12"	* W1518		
18"x18"x12"	* W1818		
21"x18"x12"	* W2118		
12"x21"x12"	* W1221		
15"x21"x12"	* W1521		
18"x21"x12"	* W1821		
21"x21"x12"	* W2121		
12"x24"x12"	* W1224		
15"x24"x12"	* W1524		
18"x24"x12"	* W1824		
21"x24"x12"	* W2124		

* Modifications available.

Wall Cabinets

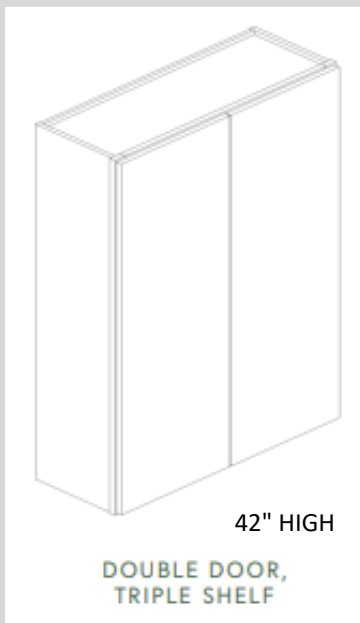
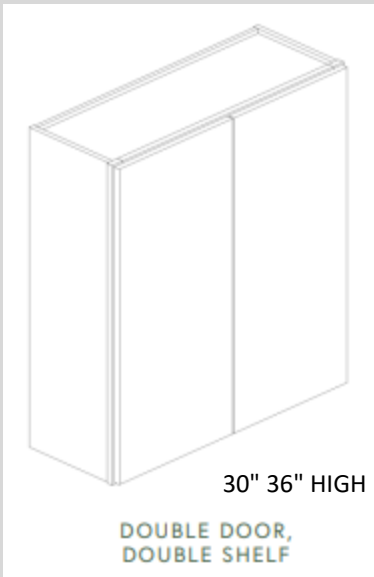
30" / 36" / 42" HIGH



W x H x D	SKU	RET	WHO
9"x30"x12"	W930		
12"x30"x12"	W1230		
15"x30"x12"	W1530		
18"x30"x12"	W1830		
21"x30"x12"	W2130		
9"x36"x12"	W936		
12"x36"x12"	W1236		
15"x36"x12"	W1536		
18"x36"x12"	W1836		
21"x36"x12"	W2136		
9"x42"x12"	W942		
12"x42"x12"	W1242		
15"x42"x12"	W1542		
18"x42"x12"	W1842		
21"x42"x12"	W2142		

Wall Cabinets

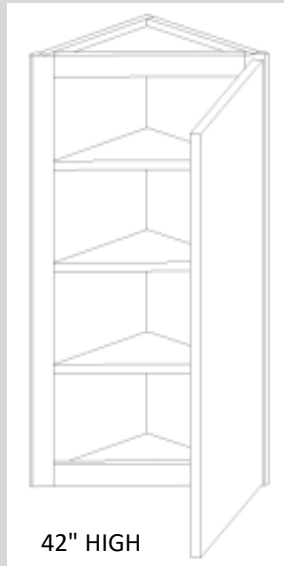
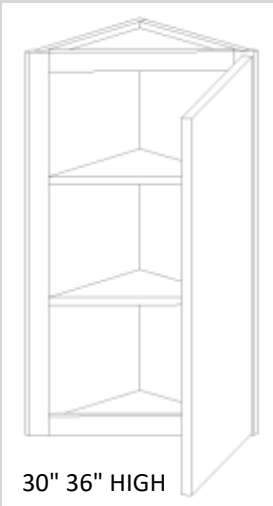
30" / 36" / 42" HIGH



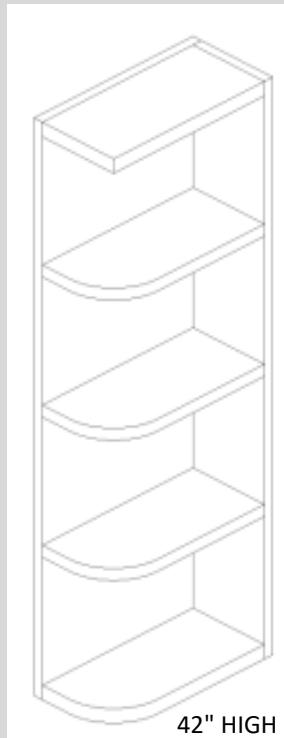
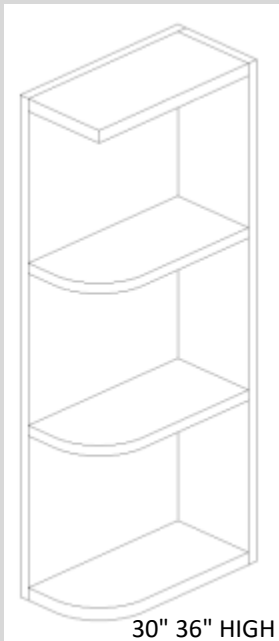
W x H x D	SKU	RET	WHO
24"x30"x12"	W2430		
27"x30"x12"	W2730		
30"x30"x12"	W3030		
33"x30"x12"	W3330		
36"x30"x12"	W3630		
24"x36"x12"	W2436		
27"x36"x12"	W2736		
30"x36"x12"	W3036		
33"x36"x12"	W3336		
36"x36"x12"	W3636		
24"x42"x12"	W2442		
27"x42"x12"	W2742		
30"x42"x12"	W3042		
33"x42"x12"	W3342		
36"x42"x12"	W3642		

Wall Cabinets

END-OF-RUN CABINET



W x H x D	SKU	RET	WHO
24"x30"x12"	WEA1230		
27"x30"x12"	WEA1236		
30"x30"x12"	WEA1242		

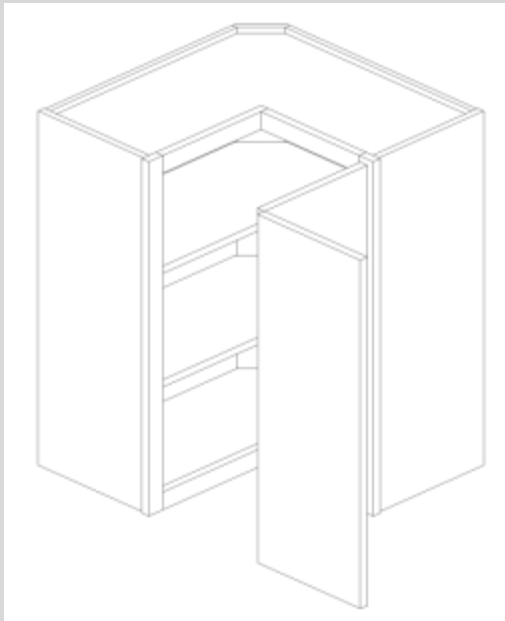


W x H x D	SKU	RET	WHO
9"x30"x12"	WOES930		
9"x36"x12"	WOES936		
9"x42"x12"	WOES942		

* Modifications available for any dimensions

Wall Cabinets

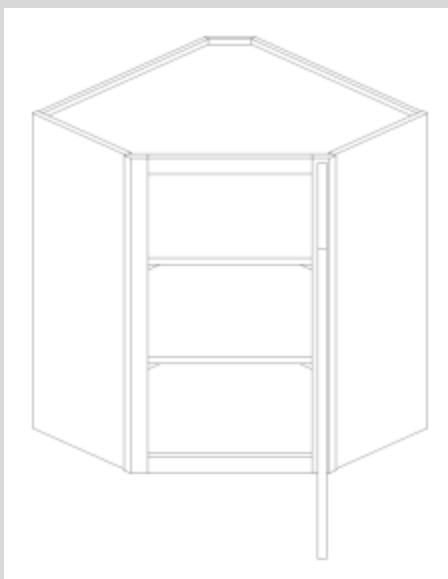
CORNER CABINET --- SQUARE



W x H x D	SKU	RET	WHO
24"x30"x24"	WSC2430		
24"x36"x24"	WSC2436		
24"x42"x24"	WSC2442		
27"x30"x27"	WSC2730		
27"x36"x27"	WSC2736		
27"x42"x27"	WSC2742		

30" and 36" high cabinets have two shelves.
42" high cabinets have three shelves.

CORNER CABINET --- DIAGONAL



W x H x D	SKU	RET	WHO
24"x12"x24"	* WDC2412		
24"x15"x24"	* WDC2415		
24"x18"x24"	* WDC2418		
24"x21"x24"	* WDC2421		
24"x24"x24"	* WDC2424		

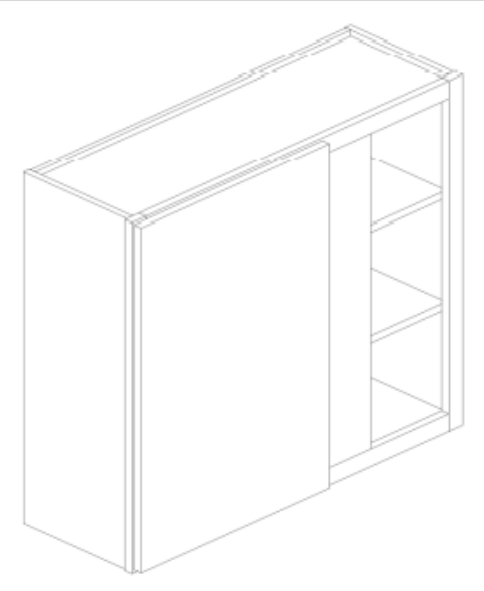
* Modifications available. 12" 15" 18" 21" 24" high has no shelf.

24"x30"x24"	WDC2430		
24"x36"x24"	WDC2436		
24"x42"x24"	WDC2442		

30" and 36" high cabinets have two shelves.
42" high cabinets have three shelves.

Wall Cabinets

CORNER CABINET --- WALL BLIND



W x H x D	SKU	RET	WHO
27"x30"x12"	WBC2730		
27"x36"x12"	WBC2736		
27"x42"x12"	WBC2742		

3" filler required adjacent to blind corner.
 30" and 36" high cabinets have two shelves.
 42" high cabinets have three shelves.

TECHNICAL SPECS

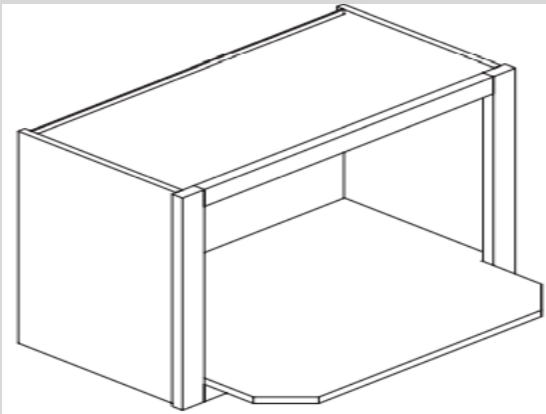
WBC2730 WBC2736 WBC2742

Door Opening **8.5"**

Center Stile 19"

Blind Opening 8.5"

MICROWAVE



W x H x D	SKU	RET	WHO
30"x18"x12"	WMO3018		

Comes standard with finished interior.
 Removable shelf is 17" deep.
 Microwave opening is 27" wide by 16.5" high.

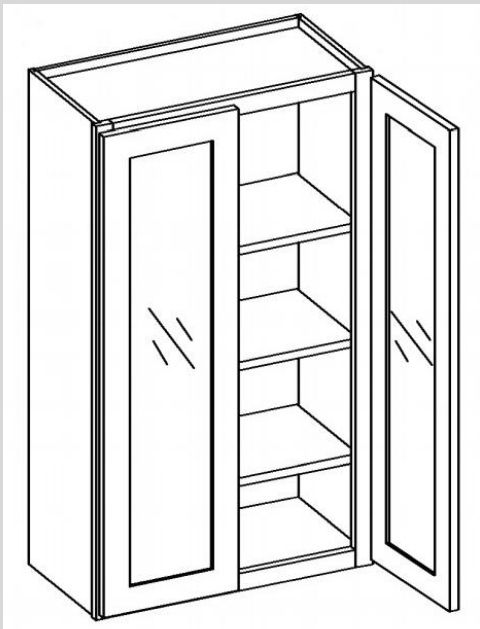
Wall Cabinets

SINGLE GLASS DOOR



Interior finished upon request.

DOUBLE GLASS DOOR



Interior finished upon request.

W x H x D	SKU	RET	WHO
12"x30"x12"	W1230GD		
15"x30"x12"	W1530GD		
18"x30"x12"	W1830GD		
21"x30"x12"	* W2130GD		
12"x36"x12"	W1236GD		
15"x36"x12"	W1536GD		
18"x36"x12"	W1836GD		
21"x36"x12"	* W2136GD		
12"x42"x12"	W1242GD		
15"x42"x12"	W1542GD		
18"x42"x12"	W1842GD		
21"x42"x12"	* W2142GD		

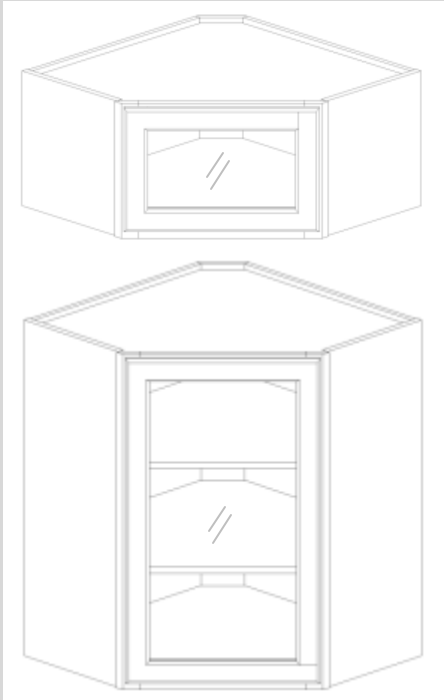
* Modifications available.

W x H x D	SKU	RET	WHO
24"x30"x12"	W2430GD		
27"x30"x12"	* W2730GD		
30"x30"x12"	W3030GD		
33"x30"x12"	* W3330GD		
36"x30"x12"	W3630GD		
24"x36"x12"	W2436GD		
27"x36"x12"	* W2736GD		
30"x36"x12"	W3036GD		
33"x36"x12"	* W3336GD		
36"x36"x12"	W3636GD		
24"x42"x12"	W2442GD		
27"x42"x12"	* W2742GD		
30"x42"x12"	W3042GD		
33"x42"x12"	* W3342GD		
36"x42"x12"	W3642GD		

* Modifications available.

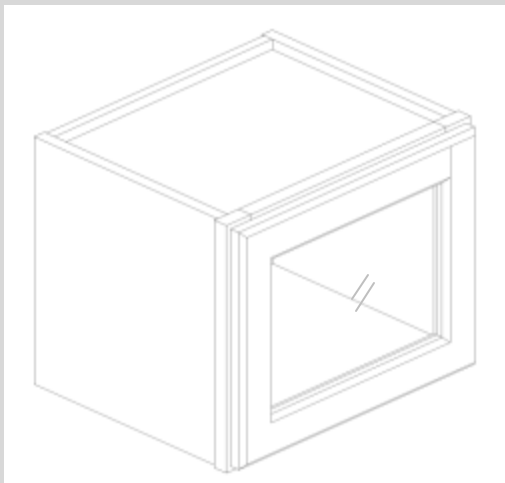
Wall Cabinets

CORNER CABINET GLASS DOOR --- DIAGONAL



Interior finished upon request.

12" / 15" / 18" / 21" / 24" HIGH SINGLE GLASS DOOR



Interior finished upon request.

W x H x D	SKU	RET	WHO
24"x12"x24"	* WDC2412		
24"x15"x24"	* WDC2415		
24"x18"x24"	* WDC2418		
24"x21"x24"	* WDC2421		
24"x24"x24"	* WDC2424		

* Modifications available.

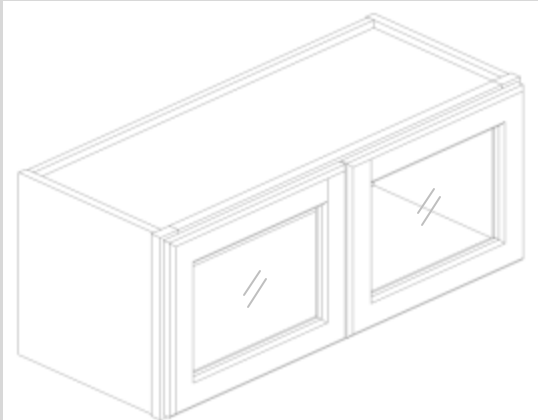
24"x30"x24"	WDC2430		
24"x36"x24"	WDC2436		
24"x42"x24"	WDC2442		

W x H x D	SKU	RET	WHO
12"x12"x12"	* W1212		
15"x12"x12"	* W1512		
18"x12"x12"	* W1812		
21"x12"x12"	* W2112		
12"x15"x12"	* W1215		
15"x15"x12"	* W1515		
18"x15"x12"	* W1815		
21"x15"x12"	* W2115		
12"x18"x12"	* W1218		
15"x18"x12"	* W1518		
18"x18"x12"	* W1818		
21"x18"x12"	* W2118		
12"x21"x12"	* W1221		
15"x21"x12"	* W1521		
18"x21"x12"	* W1821		
21"x21"x12"	* W2121		
12"x24"x12"	* W1224		
15"x24"x12"	* W1524		
18"x24"x12"	* W1824		
21"x24"x12"	* W2124		

* Modifications available.

Wall Cabinets

12" / 15" / 18" / 21" / 24" HIGH DOUBLE GLASS DOOR



W x H x D	SKU	RET	WHO
24"x12"x12"	W2412		
27"x12"x12"	W2712		
30"x12"x12"	W3012		
33"x12"x12"	W3312		
36"x12"x12"	W3612		
24"x15"x12"	W2415		
27"x15"x12"	W2715		
30"x15"x12"	W3015		
33"x15"x12"	W3315		
36"x15"x12"	W3615		
24"x18"x12"	* W2418		
27"x18"x12"	* W2718		
30"x18"x12"	* W3018		
33"x18"x12"	* W3318		
36"x18"x12"	* W3618		

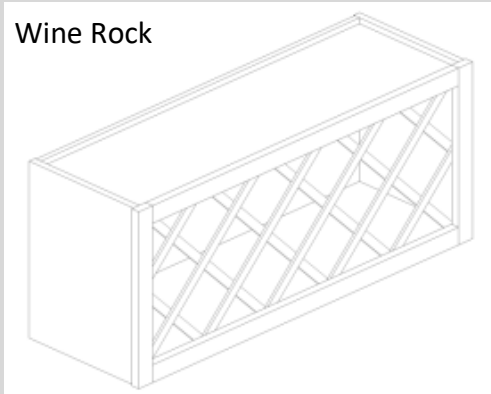
* Modifications available.

W x H x D	SKU	RET	WHO
30"x21"x12"	* W3021		
33"x21"x12"	* W3321		
36"x21"x12"	* W3621		
24"x24"x12"	* W2424		
27"x24"x12"	* W2724		
30"x24"x12"	* W3024		
33"x24"x12"	* W3324		
36"x24"x12"	* W3624		

* Modifications available.

Wall Cabinets

Wine Rock



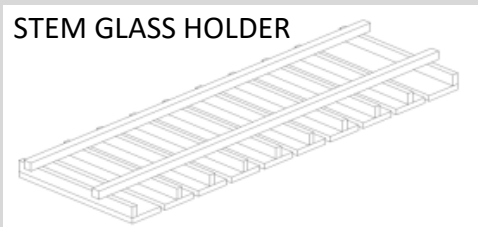
W x H x D	SKU	RET	WHO
30"x18"x12"	WRC3018		
36"x18"x12"	WRC3618		

X STORAGE



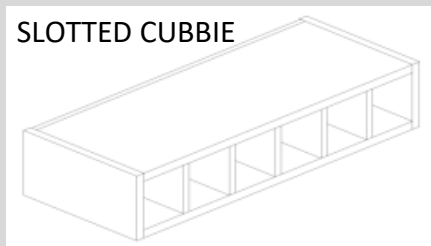
W x H x D	SKU	RET	WHO
18"x18"x12"	WCX1818		

STEM GLASS HOLDER



W x H x D	SKU	RET	WHO
30"x1.5"x12"	GH30		
36"x1.5"x12"	GH36		

SLOTTED CUBBIE



W x H x D	SKU	RET	WHO
30"x6"x12"	WCW630		

Base Cabinets

BASE WITH DRAWER CABINETS



W x H x D	SKU	RET	WHO
9"x34.5"x24"	B9		
12"x34.5"x24"	B12		
15"x34.5"x24"	B15		
18"x34.5"x24"	B18		
21"x34.5"x24"	B21		



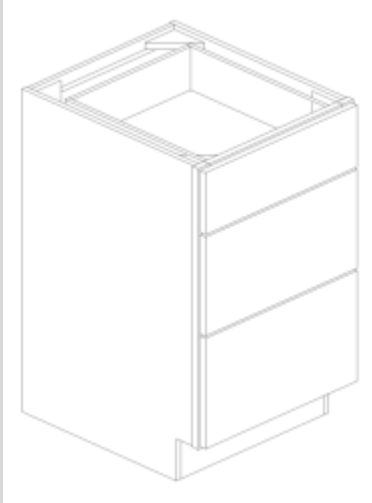
W x H x D	SKU	RET	WHO
24"x34.5"x24"	B24		
27"x34.5"x24"	B27		
30"x34.5"x24"	B30		



W x H x D	SKU	RET	WHO
33"x34.5"x24"	B33		
36"x34.5"x24"	B36		

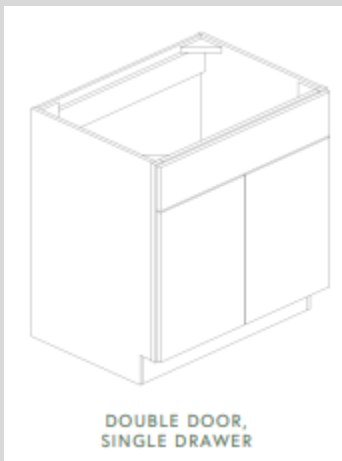
Base Cabinets

DRAWER BASE CABINETS



W x H x D	SKU	RET	WHO
12"x34.5"x24"	DB12		
15"x34.5"x24"	DB15		
18"x34.5"x24"	DB18		
21"x34.5"x24"	DB21		
24"x34.5"x24"	DB24		
27"x34.5"x24"	DB27		
30"x34.5"x24"	DB30		
33"x34.5"x24"	DB33		
36"x34.5"x24"	DB36		

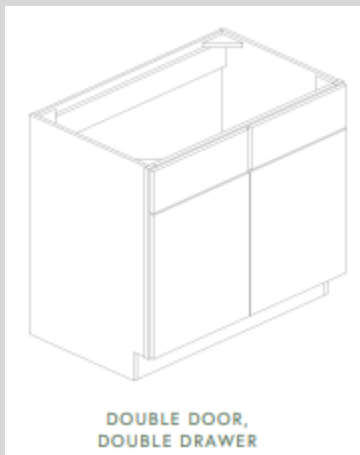
SINK BASE CABINETS



W x H x D	SKU	RET	WHO
24"x34.5"x24"	SB24		
27"x34.5"x24"	SB27		
30"x34.5"x24"	SB30		

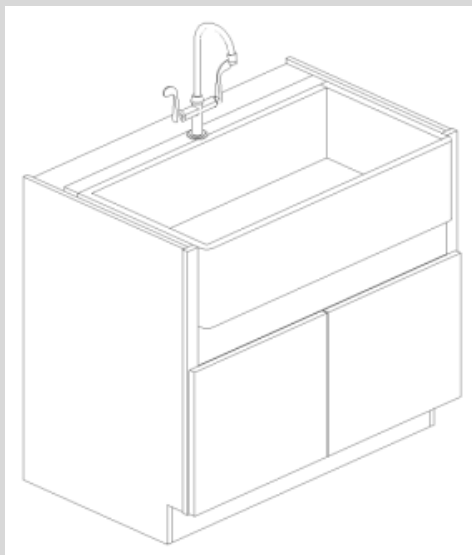
Base Cabinets

SINK BASE CABINETS



W x H x D	SKU	RET	WHO
33"x34.5"x24"	SB33		
36"x34.5"x24"	SB36		

FARM SINK BASE CABINETS



W x H x D	SKU	RET	WHO
24"x34.5"x24"	* FS24		
27"x34.5"x24"	* FS27		
30"x34.5"x24"	* FS30		
33"x34.5"x24"	* FS33		
36"x34.5"x24"	FS36		

* Modifications available.

Sink opening must be cut in field

PRO TIP

Use a sharp blade and go slow when cutting farm sink opening to avoid excessive vibration that can cause joint splits. Order item SC-Scribe Molding to cover gaps where frame meets sink.

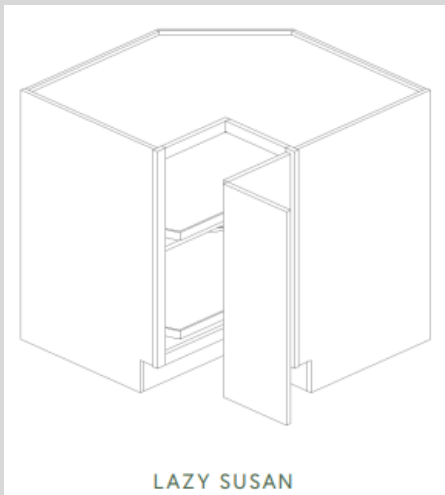
Base Cabinets

CORNER SINK BASE CABINETS



W x H x D	SKU	RET	WHO
33"x34.5"x33"	DSB33		
36"x34.5"x36"	DSB36		

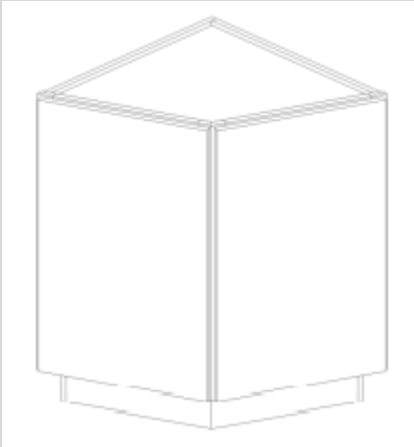
LAZY SUSAN



W x H x D	SKU	RET	WHO
33"x34.5"x33"	LSB33		
36"x34.5"x36"	LSB36		

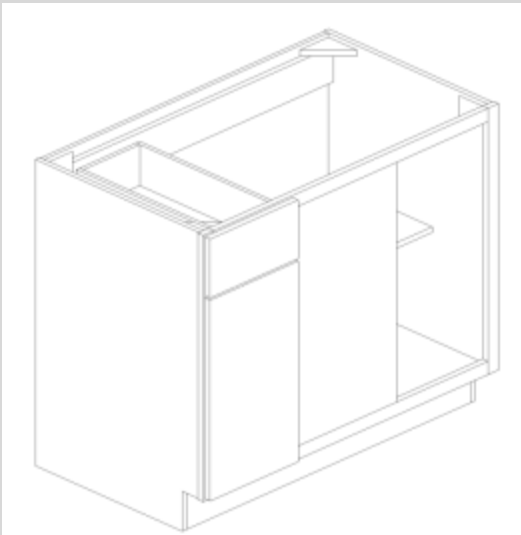
Base Cabinets

ANGLE END BASE CABINET



W x H x D	SKU	RET	WHO
24"x34.5"x24"	BEC24		

BLIND BASE CABINETS



W x H x D	SKU	RET	WHO
27"x34.5"x24"	BBC27/36~39		
36"x34.5"x24"	BBC36/42~45		

3" filler required adjacent to blind corner

TECHNICAL SPECS

BBC27/36~39

Door Opening **8.5"**

Center Stile 19"

Blind Opening 8.5"

BBC36/42~45

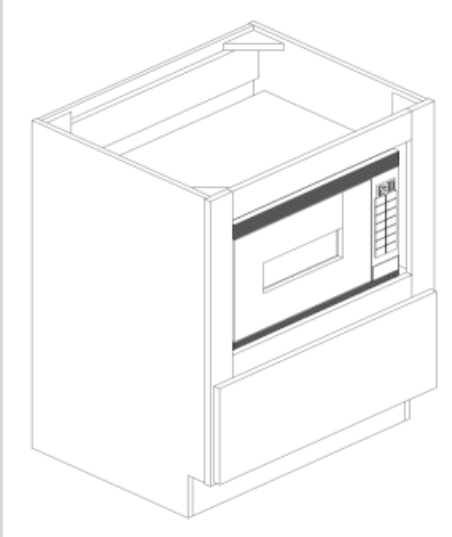
Door Opening **11.5"**

Center Stile 16"

Blind Opening 11.5"

Base Cabinets

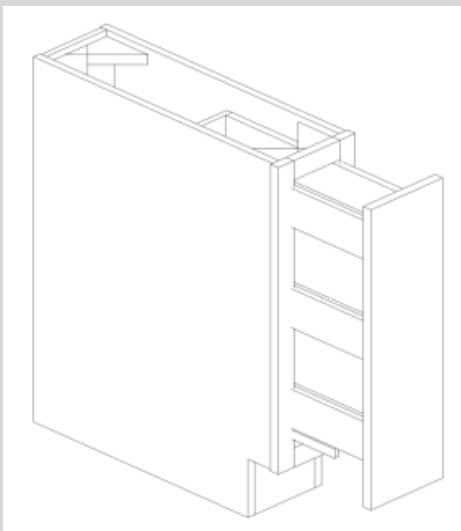
MICROWAVE BASE CABINETS



W x H x D	SKU	RET	WHO
24"x34.5"x24"	* BMD24		
27"x34.5"x24"	* BMD27		
30"x34.5"x24"	* BMD30		

* Modifications available.

SPICE RACK CABINETS

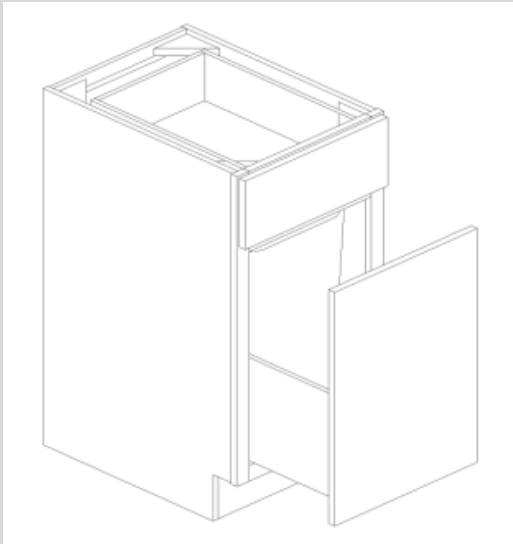


W x H x D	SKU	RET	WHO
9"x34.5"x24"	SPR9		
12"x34.5"x24"	SPR12		

Does not come with soft-close mechanism.

Base Cabinets

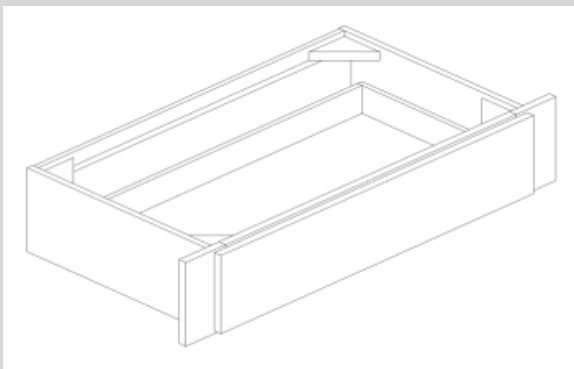
WASTE BASKET



W x H x D	SKU	RET	WHO
15"x34.5"x24"	BWBK15		
18"x34.5"x24"	BWBK18		

Does not come with soft-close mechanism.
 Waste baskets (PRO-WB) sold separately;
 BWBK15 hold 1 waste basket, BWBK18 holds two waste baskets

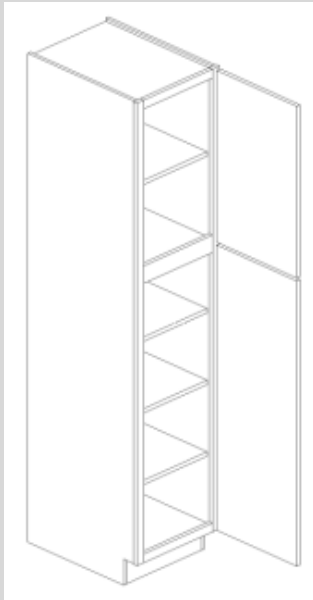
VANITY KNEE DRAWER



W x H x D	SKU	RET	WHO
24"x7"x21"	UCD2421		
30"x7"x21"	UCD3021		

Pantry

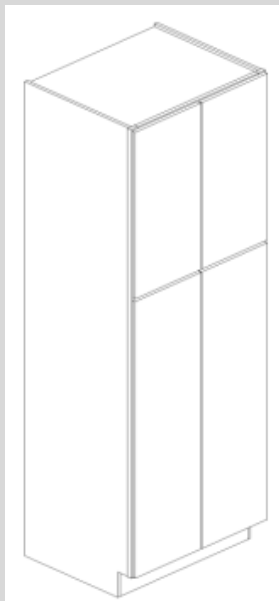
SINGLE DOOR



W x H x D	SKU	RET	WHO
15"x84"x24"	PC1584		
18"x84"x24"	PC1884		
15"x90"x24"	PC1590		
18"x90"x24"	PC1890		
15"x96"x24"	PC1596		
18"x96"x24"	PC1896		

84" high and 90" high cabinets have four shelves.
96" high cabinets have five shelves.

DOUBLE DOOR



W x H x D	SKU	RET	WHO
24"x84"x24"	PC2484		
30"x84"x24"	PC3084		
36"x84"x24"	PC3684		
24"x90"x24"	PC2490		
30"x90"x24"	PC3090		
36"x90"x24"	PC3690		
24"x96"x24"	PC2496		
30"x96"x24"	PC3096		
36"x96"x24"	PC3696		

84" high and 90" high cabinets have four shelves.
96" high cabinets have five shelves.

Oven Cabinet

SINGLE / DOUBLE OVEN CABINETS



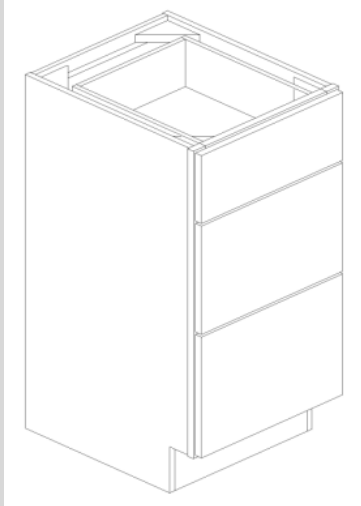
W x H x D	SKU	RET	WHO
33"x84"x24"	DOC3384		
33"x90"x24"	DOC3390		
33"x96"x24"	DOC3396		

* Modifications available.



Vanity Cabinets

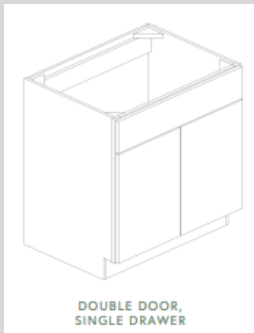
DRAWER VANITY CABINETS



W x H x D	SKU	RET	WHO
12"x34.5"x21"	VDB12		
15"x34.5"x21"	VDB15		
18"x34.5"x21"	VDB18		
21"x34.5"x21"	* VDB21		
24"x34.5"x21"	VDB24		
27"x34.5"x21"	* VDB27		
30"x34.5"x21"	* VDB30		
33"x34.5"x21"	* VDB33		
36"x34.5"x21"	* VDB36		

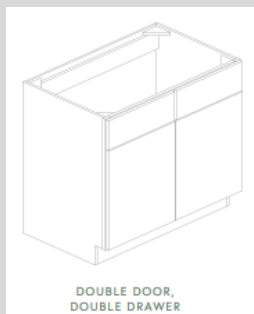
* Modifications available.

SINK VANITY CABINETS



W x H x D	SKU	RET	WHO
24"x34.5"x21"	VSB24		
27"x34.5"x21"	* VSB27		
30"x34.5"x21"	VSB30		

* Modifications available.

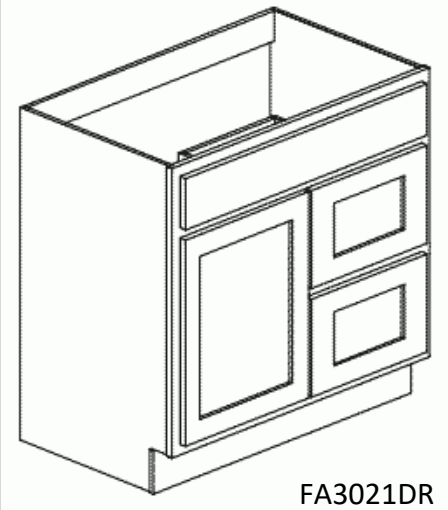


W x H x D	SKU	RET	WHO
33"x34.5"x21"	* VSB33		
36"x34.5"x21"	VSB36		

* Modifications available.

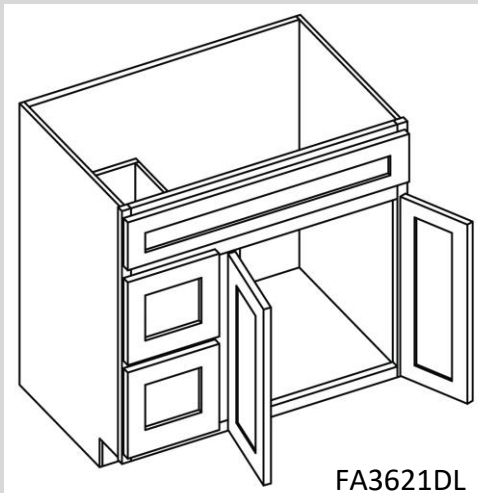
Vanity Cabinets

SINK DRAWERS VANITY CABINETS 30"



W x H x D	SKU	RET	WHO
30"x34.5"x21"	FA3021DR		
30"x34.5"x21"	FA3021DL		

SINK DRAWERS VANITY CABINETS 36"



W x H x D	SKU	RET	WHO
36"x34.5"x21"	FA3621DR		
36"x34.5"x21"	FA3621DL		

Vanity Cabinets

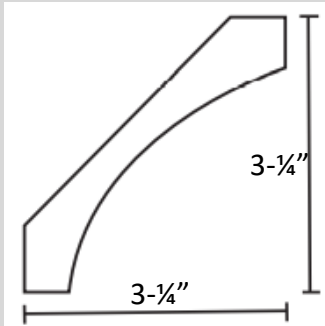
SINK DRAWERS VANITY CABINETS 48"



W x H x D	SKU	RET	WHO
48"x34.5"x21"	FA4821D		

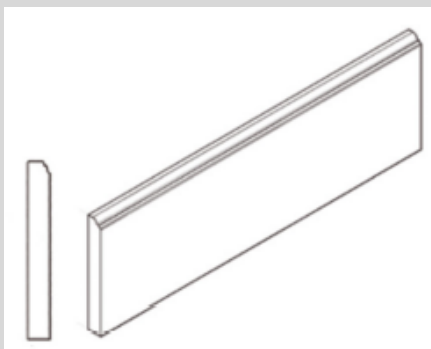
Accessories

CROWN MOLDING



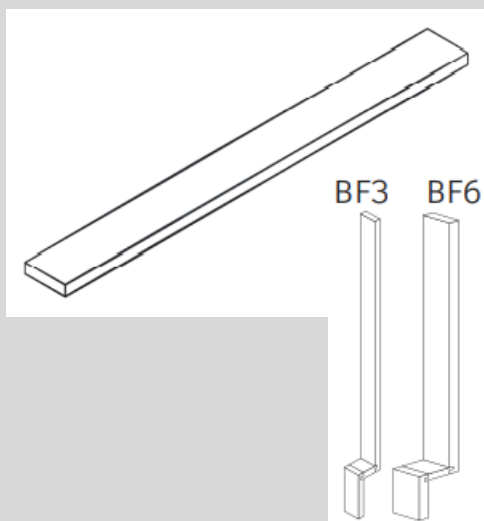
W x H x D	SKU	RET	WHO
96"x3.35"x3.35"	SKCM8		

BAES MOLDING



W x H x D	SKU	RET	WHO
96"x4.75"x0.75"	BM8		

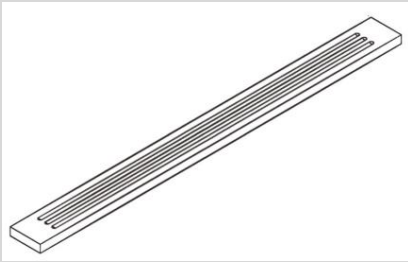
FILLERS



W x H x D	SKU	RET	WHO
3"x30"x0.75"	WF330		
3"x36"x0.75"	WF336		
3"x42"x0.75"	WF342		
6"x30"x0.75"	WF630		
6"x36"x0.75"	WF636		
6"x42"x0.75"	WF642		
3"x96"x0.75"	WF396		
6"x96"x0.75"	WF696		
3"x34.5"x0.75"	BF3		
6"x34.5"x0.75"	BF6		

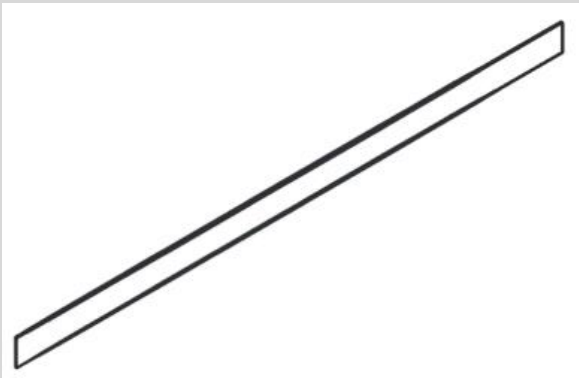
Accessories

FLUTED FILLERS



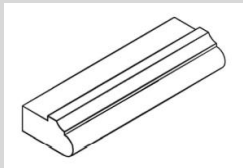
W x H x D	SKU	RET	WHO
3"x96"x0.75"	WFD396		
4.25"x96"x0.75"	WFD4.2596		

TOE KICK



W x H x D	SKU	RET	WHO
96"x4.5"x0.25"	TK8		

LIFHT VALANCE PROFILE TRIMS



W x H x D	SKU	RET	WHO
96"x1.5"x0.75"	TLR8		

SCRIBE TRIMS



W x H x D	SKU	RET	WHO
96"x0.75"x0.25"	SM8		

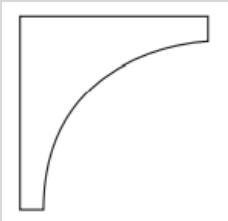
Accessories

OUTSIDE CORNER TRIMS



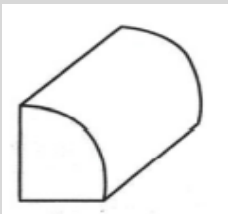
W x H x D	SKU	RET	WHO
96"x0.75"x0.75"	OCM8		

INSIDE CORNER TRIMS



W x H x D	SKU	RET	WHO
96"x0.75"x0.75"	ICM8		

QUARTER ROUND TRIMS



W x H x D	SKU	RET	WHO
96"x0.75"x0.75"	QR8		

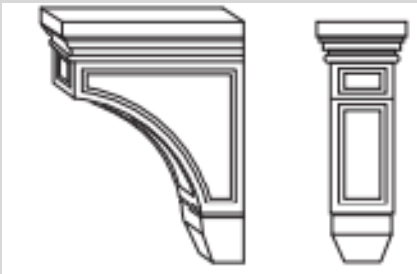
SIDE FINISHED PANELS



W x H x D	SKU	RET	WHO
96"x48"x0.25"	FP4896-¼"		
96"x48"x0.5"	PNL4896-½"		

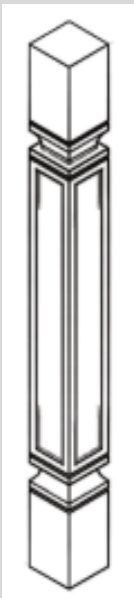
Accessories

CORBEL STRUCTURAL



W x H x D	SKU	RET	WHO
	GRP		

POST STRUCTURAL



W x H x D	SKU	RET	WHO
3"x34.5"x3"	SP3		

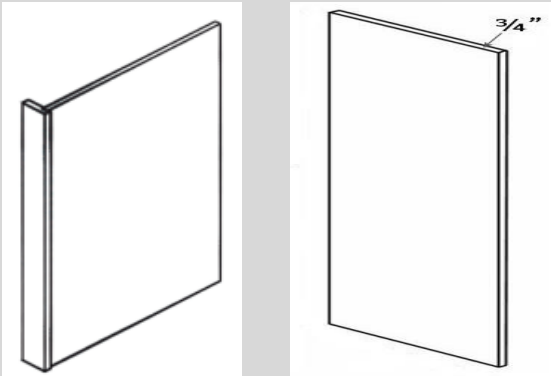
BEADED VALANCES



W x H x D	SKU	RET	WHO
36"x4.5"x0.75"	VAL36		

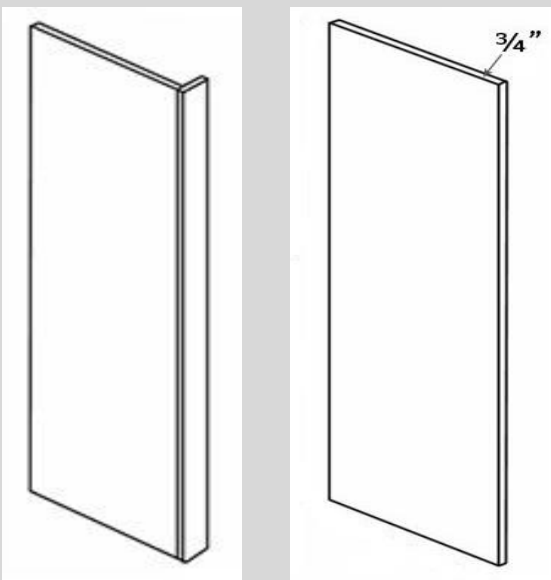
Accessories

DISHWASHER END PANEL



W x H x D	SKU	RET	WHO
0.75"x34.5"x24"	DWP0.75		
3"x34.5"x24"	DEP3		

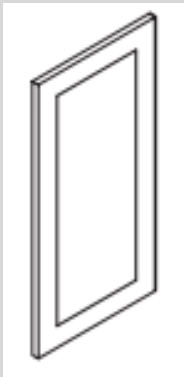
REFRIGERATOR END PANELS



W x H x D	SKU	RET	WHO
0.75"x96"x24"	REF0.7596		
3"x96"x24"	REF396		

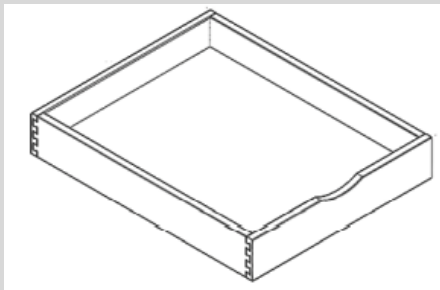
Accessories

DECORATIVE END PANEL



W x H x D	SKU	RET	WHO
	BEP		
	WEP1230		
	WEP1236		
	WEP1242		

ROLLOUT TRAY



W x H x D	SKU	RET	WHO
8"x4.25"x21"	ROT12		
11"x4.25"x21"	ROT15		
14"x4.25"x21"	ROT18		
17"x4.25"x21"	ROT21		
20"x4.25"x21"	ROT24		
23"x4.25"x21"	ROT27		
26"x4.25"x21"	ROT30		
29"x4.25"x21"	ROT33		
32"x4.25"x21"	ROT36		

Address & Phone Number:

14 Bryant CT (A & B) Sterling VA 20166

T (703) 467-0434

(703) 467-0435

F (703) 467-0436

Email Us:

Unitedstones.va@gmail.com

Hours of Operations:

Office & Showroom: Monday ~ Friday: 9:00am – 6:00pm

Saturday: 10:00am – 5:00pm

Sunday: Closed

Common Carriers/Ground Shipments: 10am - 5pm

Pick-up Orders: 10:00am – 11:50am / 1:00pm – 5:30pm



United Stone

Cabinetry™